

OPTIMUM 6/8



Optimum 8

- Stowed height 1.91 m (6ft 3in), width 0.76 m (2ft 5in).
- Platform capacity 280 kg (617 lb) (Optimum 6).
- Security system with Pot Hole protection.



The Haulotte® avantages

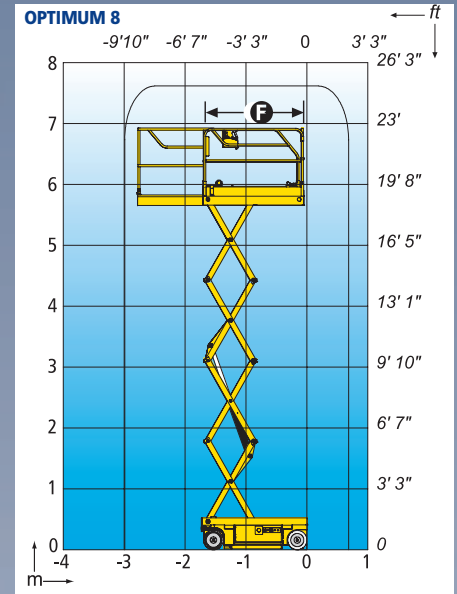
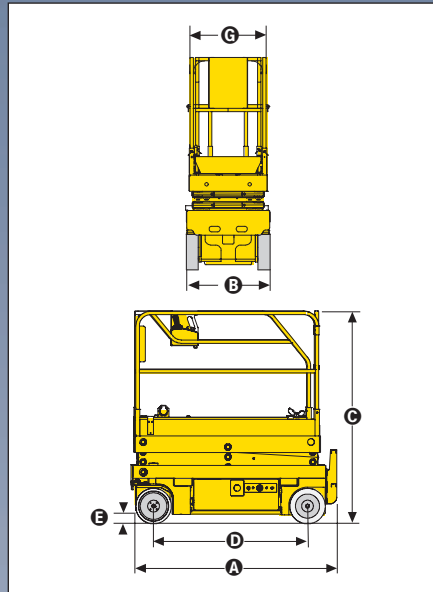
- Compact stowed height for easy access travel through standard doorways
- Length : 1.88m (6 ft 2 in) and width 0.76 m (2 ft 5 in) allow operation in the most congested areas
- Outside turning radius 1.70 m (5 ft 6 in) ensures excellent manoeuvrability
- 8 cm (3 in) ground clearance allows for both inside and outside uses
- Pot Hole protection ensures maximum safety
- High operating autonomy
- Robust reliable and easy to maintain design

STANDARD FEATURES

- Non marking tyres
- 0.92 m (3ft) platform extension
- 2° tilt alarm
- 2 drive speed
- 2 front wheel drive and steer
- Free weeling device
- 24 V - 4x6 V - 180 Ah batteries
- 30 Amp battery charger
- Battery charge indicator
- Hour meter
- Horn
- Towing hooks / lifting eyes
- 2 hooks for safety harness
- 2 emergency stop buttons and 2 control boxes
- Emergency lowering system

OPTIONS & ACCESSORIES

- 230 V power to platform
- Flashing light
- Working light
- 1,5 m extension from control box
- Motion alarm for movements and translation
- Motion alarm for translation



SPECIFICATIONS

| | OPTIMUM 6 | | OPTIMUM 8 | |
|-------------------------------------|-------------------------------------|------------|-----------|-------------|
| Working height | 6.45 m | 20 ft 7 in | 7.76 m | 25 ft 5 in |
| Platform height | 4.45 m | 14 ft 7 in | 5.76 m | 18 ft 11 in |
| Driveable at full height | 6.45 m | 21 ft 2 in | 7.6 m | 25 ft |
| Platform capacity | 280 kg | 617 lb | 230 kg | 507 lb |
| A Stowed length | 1.73 m | 8 ft 8 in | 1.73 m | 5 ft 8 in |
| With access steps | 1.88 m - 6 ft 6 in | | | |
| B Width | 0.76 m - 2 ft 6 in | | | |
| C Stowed height (guardrails) | 1.91 m | 6 ft 3 in | 2 m | 6 ft 6 in |
| Stowed height (platform) | 0.80 m | 2 ft 7 in | 0.89 m | 2 ft 10 in |
| D Wheelbase | 1.38 m - 4 ft 6 in | | | |
| E Ground clearance | 8 cm - 3 in | | | |
| With deployed Pot Hole | 2.2 cm - 0.5 in | | | |
| F x G Platform size | 1.65 x 0.7 m - 5 ft 8 in X 2ft 3 in | | | |
| Extension: size | 0.92 m - 3 ft | | | |
| Drive speed | 0.6-4.55 km/h - 0.37-2.83 mph | | | |
| Outside turning radius | 1.70 m - 5 ft 7 in | | | |
| Lift / lower speed (sec.) | 20/35 | | 23/32 | |
| Gradeability | 25% | | | |
| Tilt alarm | 2° | | | |
| Controls | Proportional | | | |
| Batteries | 180 Amp/h | | | |
| Tyres (solid / non marking) | Solid Dia 317 | | | |
| Hydraulic tank | 18 l / 4 gal | | | |
| Weight | 1335 kg | 2,943 lb | 1 420 kg | 3,130 lb |

AS 1418.10

